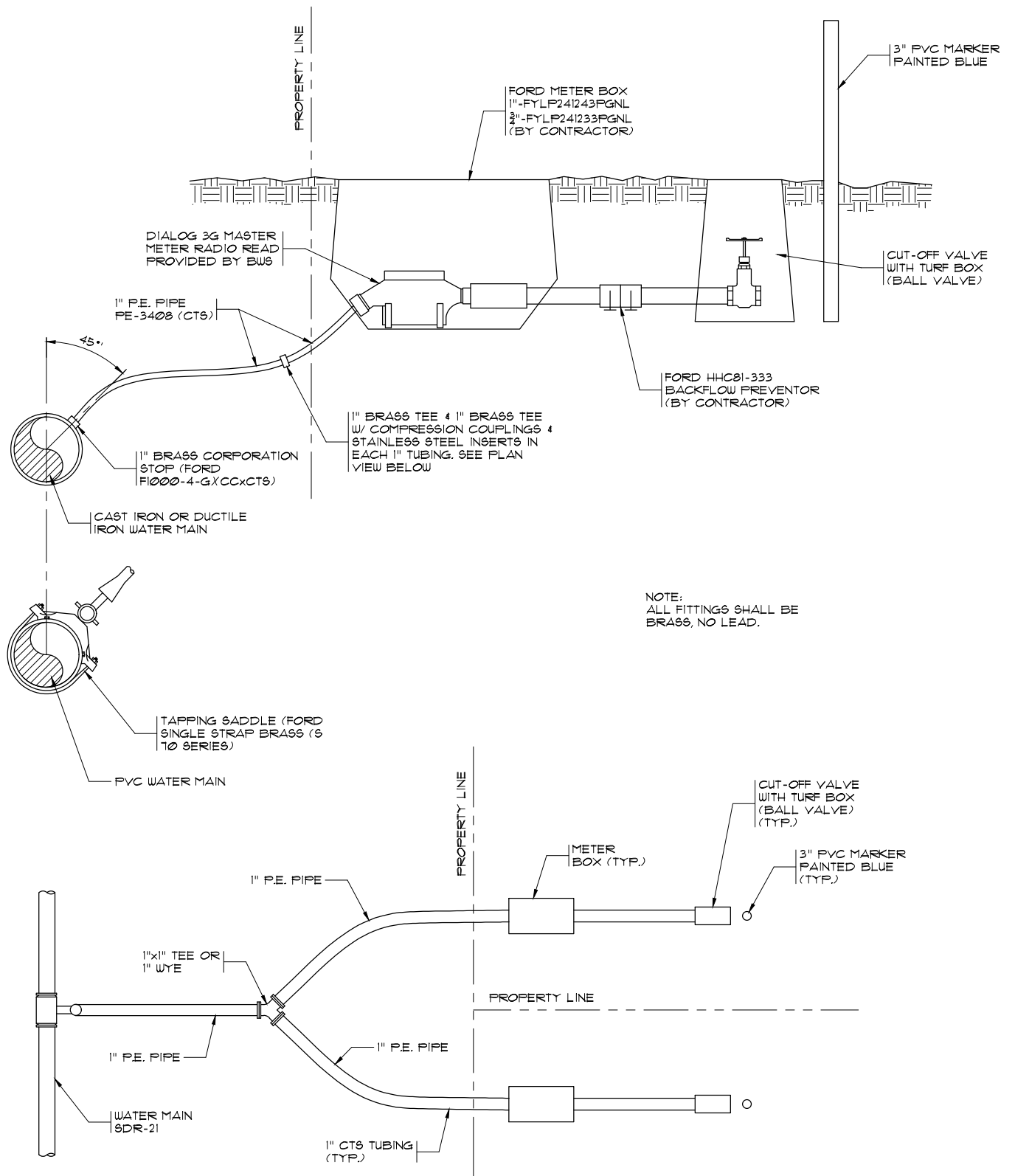


UTILITY NOTES:

1. PRIOR TO CONSTRUCTION, ALL APPLICABLE PERMITS MUST BE IN HAND, AND ALL PRE-CONSTRUCTION MEETINGS MUST BE HELD.
2. ALL WATER AND SEWER LINES SHALL MAINTAIN 36" MIN. COVER, UNLESS OTHERWISE NOTED.
3. ALL WATER AND SEWER LINES SHALL MAINTAIN 10' MIN. HORIZONTAL SEPARATION OR 18" MIN. VERTICAL SEPARATION WITH THE WATER LINE OVER THE SEWER LINE, UNLESS OTHERWISE NOTED.
4. ALL EXISTING UTILITIES SHALL BE LOCATED PRIOR TO EXCAVATION BY CALLING PALMETTO UTILITY LOCATION SERVICE AT 1-800-922-0983.
5. WATER INSTALLATIONS SHALL BECOME PART OF THE BUCKSPORT WATER SYSTEM'S SYSTEM. INSTALLATION OF THESE UTILITIES SHALL MEET OR EXCEED THEIR STANDARDS AND SPECIFICATIONS.
6. SERVICES SHALL BE PERPENDICULAR TO MAIN AND TERMINATE AT RIGHT-OF-WAY LINE, EXCEPT SERVICES IN CUL-DE-SAC ARE NOT REQUIRED TO BE PERPENDICULAR.
7. SERVICES SHALL BE LOCATED 2' MIN. FOR PROPERTY OR EASEMENT LINES.
8. CONTRACTOR SHALL TAPE #12 BLUE TRACER WIRE ON TOP OF PVC WATER LINES AND #12 GREEN TRACER WIRE ON PVC FORCE MAINS.
9. WATER MAIN SHALL BE SDR-21, 200 PSI OR SDR-26, 160 PSI PIPE.

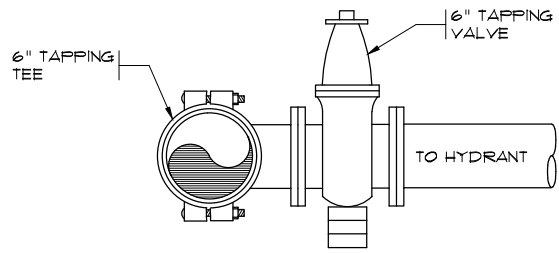
NOTE TO CONTRACTOR:

1. THIS WATER SYSTEM TO BE OWNED AND OPERATED BY BUCKSPORT WATER SYSTEM. CONTRACTOR SHALL MEET REQUIREMENTS OF, COORDINATE WORK WITH, AND SUBMIT TO INSPECTION BY BUCKSPORT WATER SYSTEM.
2. THIS WASTEWATER SYSTEM TO BE OWNED AND OPERATED BY GSWSA. CONTRACTOR SHALL MEET REQUIREMENTS OF, COORDINATE WORK WITH, AND SUBMIT TO INSPECTION BY GSWSA.
3. OWNER SHALL PROVIDE CONSTRUCTION STAKING AND AS-BUILT MAPPING.
4. CONTRACTOR SHALL PROVIDE WATER MAIN CHLORINATION, SAMPLING AND TESTING PER SCDHEC AND BUCKSPORT WATER SYSTEM'S REQUIREMENTS.
5. CONTRACTOR TO PROVIDE ALL WATER METER BOXES. CONTRACTOR TO INSTALL METER BOXES, CHECK VALVES, AND CUT OFF VALVES. BUCKSPORT WATER SYSTEM TO PROVIDE AND INSTALL WATER METERS.

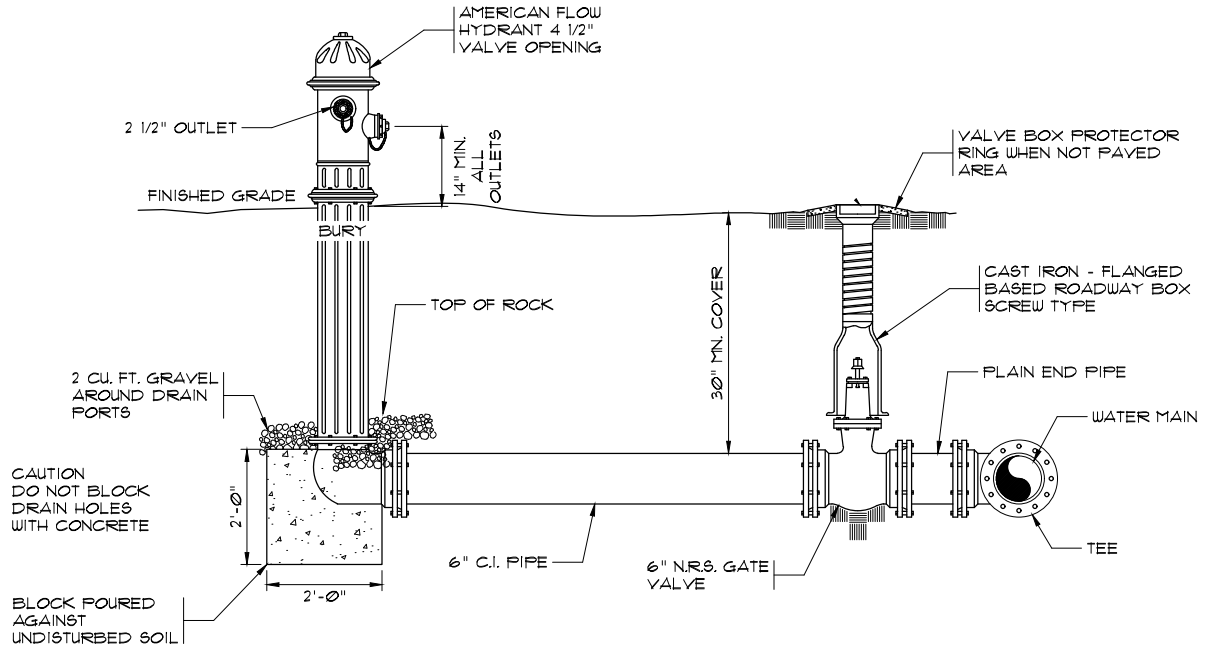


STANDARD WATER CONNECTION - 1"

N.T.S.



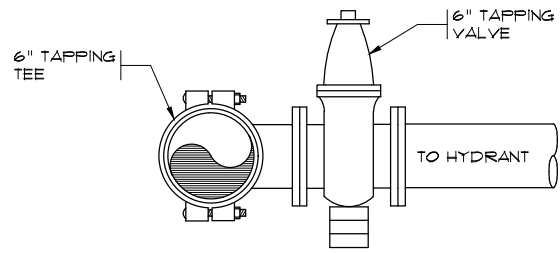
**FOR TAPS TO
EXISTING MAINS**
N.T.S.



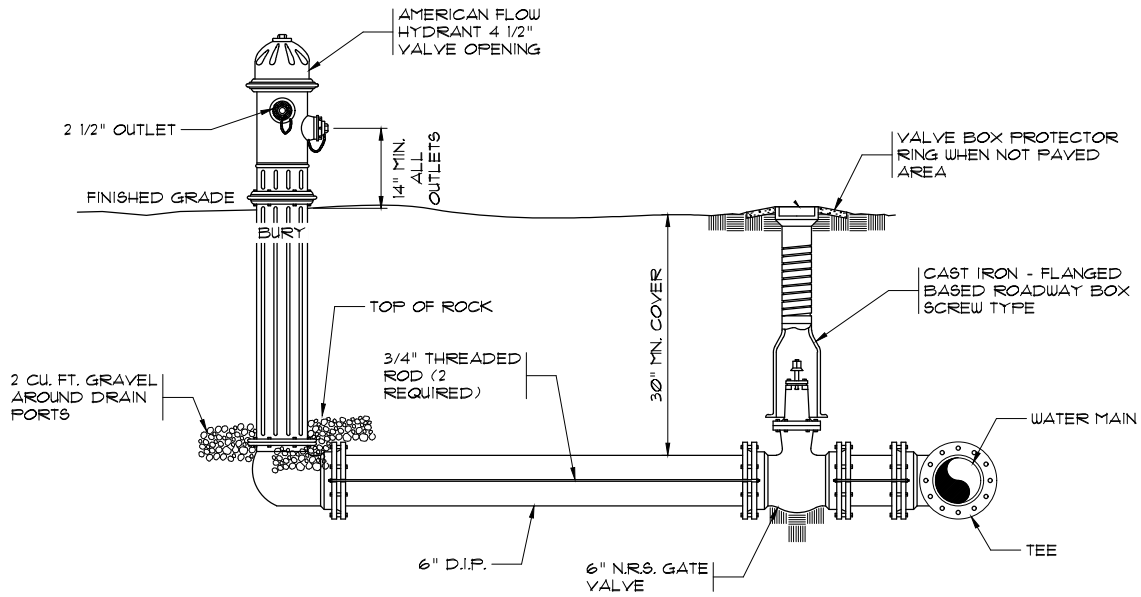
FIRE HYDRANT DETAIL
N.T.S.

NOTES:

1. ALL JOINTS TO BE MECHANICAL.
2. HYDRANTS SHALL BE NO LESS THAN 3' NOR MORE THAN 6' FROM THE CURB OR THE EDGE OF A HARD SURFACE STREET OR ACCESS ROAD. EXCEPT THAT ALONG RURAL ROADS THROUGH UNDEVELOPED AREAS THE MAXIMUM DISTANCE MAY BE INCREASED TO 10'.
3. HYDRANT MUST BE LOCATED SO AS TO BE UNOBSTRUCTED FOR 15' EITHER SIDE AS MEASURED ALONG THE CURB OR A HARD SURFACE STREET OR ACCESS ROAD. THE AREA MUST BE FREE OF GROWTH AND OTHER OBSTRUCTIONS WHICH WOULD HINDER THE ACCESS TO THE HYDRANT.
4. MINIMUM DISTANCE BETWEEN VALVE AND HYDRANT SHALL BE 3'.
5. BENDS MAY BE USED IN HYDRANT LEAD TO FACILITATE HYDRANT LOCATION.
6. HYDRANT VALVES TO OPEN TO THE LEFT.
7. ALL FITTINGS SHALL BE DUCTILE IRON.



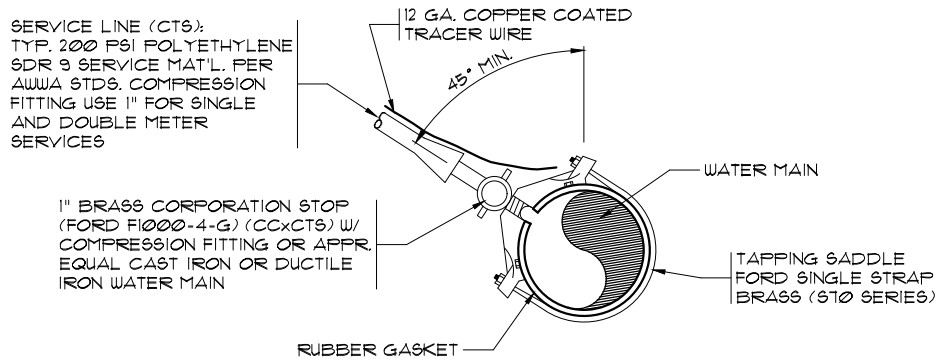
**FOR TAPS TO
EXISTING MAINS**
N.T.S.



**MEGA LUG FIRE HYDRANT
AND VALVE DETAIL**
N.T.S.

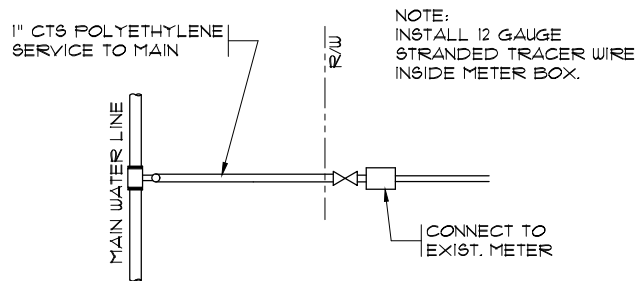
NOTES:

1. ALL JOINTS TO BE MECHANICAL.
2. HYDRANTS SHALL BE NO LESS THAN 3' NOR MORE THAN 6' FROM THE CURB OR THE EDGE OF A HARD SURFACE STREET OR ACCESS ROAD, EXCEPT THAT ALONG RURAL ROADS THROUGH UNDEVELOPED AREAS THE MAXIMUM DISTANCE MAY BE INCREASED TO 10'.
3. HYDRANT MUST BE LOCATED SO AS TO BE UNOBSTRUCTED FOR 15' EITHER SIDE AS MEASURED ALONG THE CURB OR A HARD SURFACE STREET OR ACCESS ROAD. THE AREA MUST BE FREE OF GROWTH AND OTHER OBSTRUCTIONS WHICH WOULD HINDER THE ACCESS TO THE HYDRANT.
4. MINIMUM DISTANCE BETWEEN VALVE AND HYDRANT SHALL BE 3'.
5. BENDS MAY BE USED IN HYDRANT LEAD TO FACILITATE HYDRANT LOCATION.
6. HYDRANT VALVES TO OPEN TO THE LEFT.
7. ALL FITTINGS SHALL BE DUCTILE IRON.



TYPICAL WATER SERVICE TAP

N.T.S.



TYPICAL SINGLE SERVICE CONNECTION

N.T.S.